

# **TECHNICAL SPECIFICATIONS**

## **HOOK 5**



**TECHNICAL DATA**

| <b>HOOK 5</b>               |             |     | <b>20</b> | <b>22</b> | <b>24</b> | <b>26</b> | <b>28</b> | <b>31</b> |
|-----------------------------|-------------|-----|-----------|-----------|-----------|-----------|-----------|-----------|
| CELLS                       | NUMBER      |     | 47        | 47        | 47        | 47        | 47        | 47        |
| ASPECT RATIO                | FLAT        |     | 5,3       | 5,3       | 5,3       | 5,3       | 5,3       | 5,3       |
| AREA                        | FLAT        | M2  | 20        | 22        | 24        | 26        | 28        | 31        |
|                             | PROJECTED   | M2  | 17,06     | 18,76     | 20,47     | 22,17     | 23,88     | 26,44     |
| CORD                        | MAXIMUM     | M   | 2,42      | 2,54      | 2,66      | 2,76      | 2,87      | 3,02      |
| LINES                       | TOTAL       | M   | 207       | 218       | 228       | 238       | 247       | 260       |
|                             | MAIN        |     | 2/1/3/2   | 2/1/3/2   | 2/1/3/2   | 2/1/3/2   | 2/1/3/2   | 2/1/3/2   |
| RISERS                      | NUMBER      | 3+1 | A/A'/B/C  | A/A'/B/C  | A/A'/B/C  | A/A'/B/C  | A/A'/B/C  | A/A'/B/C  |
|                             | ACCELERATOR | MM  | 130       | 130       | 130       | 130       | 130       | 130       |
| RECOMENDED WEIGHT IN FLIGHT |             | KG  | 55-70     | 60-80     | 70-92     | 82-105    | 95-120    | 110-135   |
| EXTENDED WEIGHT IN FLIGHT   |             | KG  | 55-85     | 60-95     | 70-105    | 82-120    | -         | -         |
| GLIDER WEIGHT               |             |     | 3,9       | 4,3       | 4,6       | 4,9       | 5,2       | 5,5       |
| CERTIFICATION               |             |     | B         | B         | B         | B         | B         | B         |

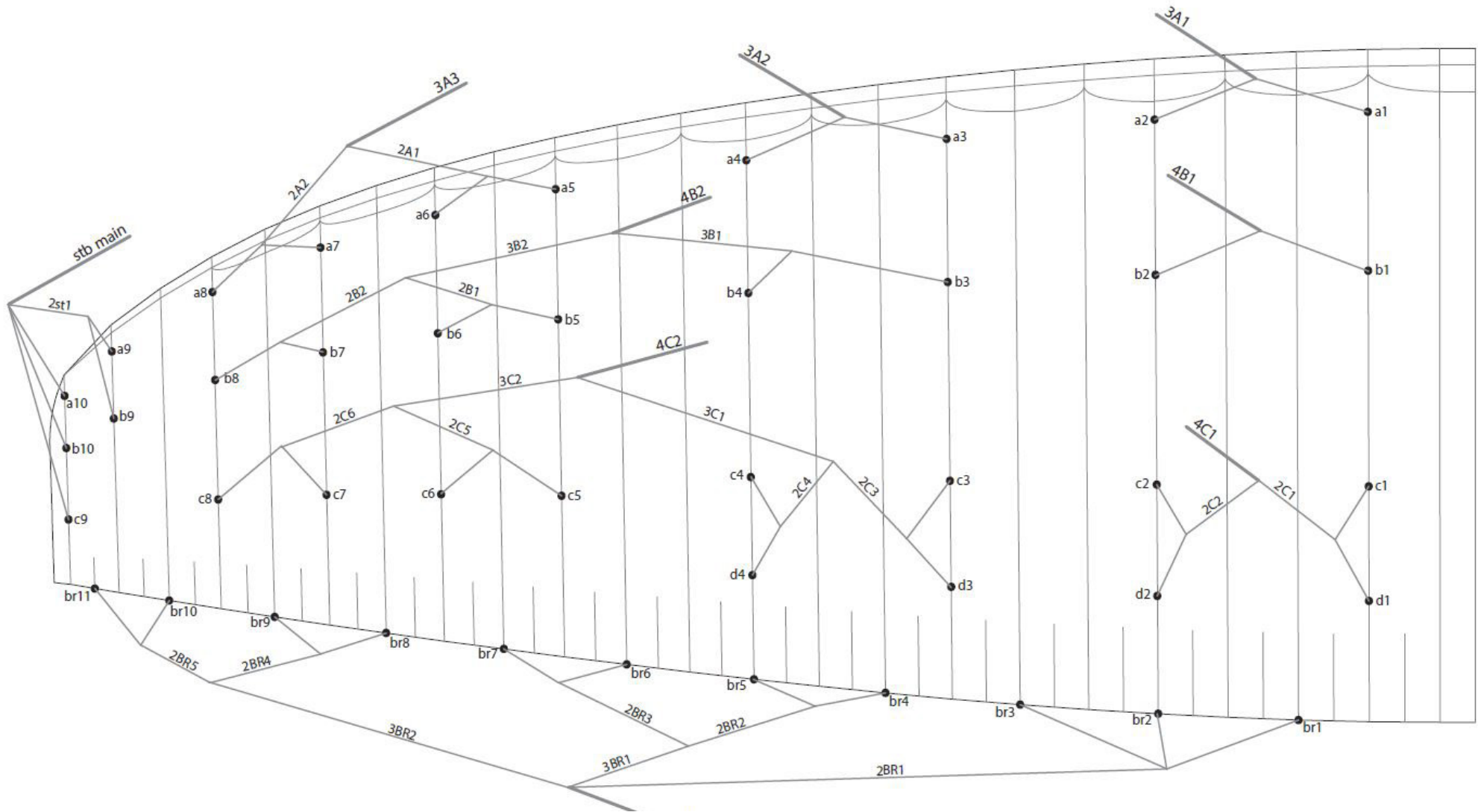
**MATERIALS TECHNICAL DATA**

| <b>CANOPY</b>               | <b>FABRIC CODE</b> | <b>SUPPLIER</b>         |
|-----------------------------|--------------------|-------------------------|
| UPPER SURFACE               | N20 DMF            | DOMINICO TEX CO (KOREA) |
| BOTTOM SURFACE              | N20 DMF            | DOMINICO TEX CO (KOREA) |
| PROFILES                    | 9017 E29           | PORCHER IND (FRANCE)    |
| DIAGONALS                   | 9017 E29           | PORCHER IND (FRANCE)    |
| LOOPS                       | LKI - 10           | KOLON IND. (KOREA)      |
| REINFORCEMENT LOOPS         | W-420              | D-P (GERMANY)           |
| TRAILING EDGE REINFORCEMENT | MYLAR              | D-P (GERMANY)           |
| RIBS REINFORCEMENT          | LTN-0.8 STICK      | SPORTWARE CO.CHINA      |
| THREAD                      | SERAFIL 60         | AMAN (GERMANY)          |

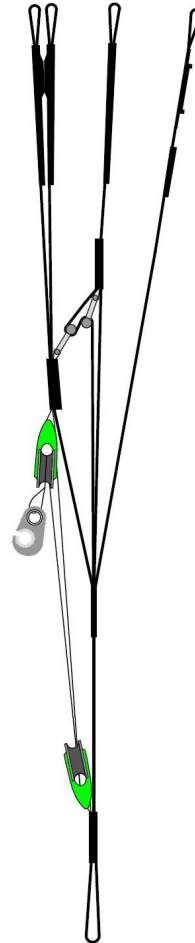
| <b>SUSPENSION LINES</b> | <b>FABRIC CODE</b> | <b>SUPPLIER</b>        |
|-------------------------|--------------------|------------------------|
| UPPER CASCADES          | DC - 60            | LIROS GMBH (GERMANY)   |
| UPPER CASCADES          | A-8000/U 50        | EDELRID (GERMANY)      |
| UPPER CASCADES          | A-8000/U 70        | EDELRID (GERMANY)      |
| UPPER CASCADES          | A-8000/U 130       | EDELRID (GERMANY)      |
| MIDDLE CASCADES         | TNL - 80           | TEIJIM LIMITED (JAPAN) |
| MIDDLE CASCADES         | TNL - 140          | TEIJIM LIMITED (JAPAN) |
| MIDDLE CASCADES         | TNL - 220          | TEIJIM LIMITED (JAPAN) |
| MIDDLE CASCADES         | A-8000/U 50        | EDELRID (GERMANY)      |
| MAIN                    | TNL - 80           | TEIJIM LIMITED (JAPAN) |
| MAIN                    | TNL - 280          | TEIJIM LIMITED (JAPAN) |
| MAIN BREAK              | TNL - 280          | TEIJIM LIMITED (JAPAN) |
| THREAD                  | SERAFIL 60         | AMAN (GERMANY)         |

| <b>RISERS</b>   | <b>FABRIC CODE</b> | <b>SUPPLIER</b>          |
|-----------------|--------------------|--------------------------|
| MATERIAL        | WD103              | COUSIN (FRANCE)          |
| COLOR INDICATOR | 210D               | TECNI SANGLES (FRANCE)   |
| THREAD          | V138               | COATS (ENGLAND)          |
| MAILLONS        | MRI4               | ANSUNG PRECISION (KOREA) |
| PULLEYS         | ID018041           | RONSTAN (AUSTRALIA)      |

SUSPENSION PLAN



|          |           |          |          |
|----------|-----------|----------|----------|
| <b>A</b> | <b>A'</b> | <b>B</b> | <b>C</b> |
| 3A1      | 3A3       | 4B1      | 4C1      |
| 3A2      |           | 4B2      | 4C2      |
|          |           | STB      |          |



**COLORS TECHNICAL DATA**

|             |     |            |                  |          |
|-------------|-----|------------|------------------|----------|
| <b>SOUL</b> | SB1 | ORANGE     | MAIN TOP         | REF: 744 |
|             | SB2 | ORANGE     | MAIN BOTTOM      | REF: 744 |
|             | SB3 | BLACK      | HORN             | REF: 102 |
|             | SB4 | ROYAL BLUE | PRINCIPAL SHADOW | REF: 317 |
|             | SB5 | WHITE      | VOLUME SHADOW    | REF: 001 |



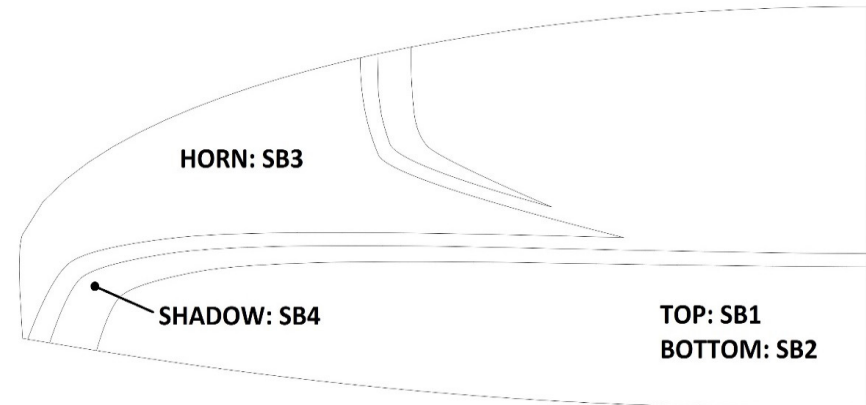
|               |     |        |                  |          |
|---------------|-----|--------|------------------|----------|
| <b>CITRUS</b> | SB1 | LIMA   | MAIN TOP         | REF: 500 |
|               | SB2 | LIMA   | MAIN BOTTOM      | REF: 500 |
|               | SB3 | GOLD   | HORN             | REF: 939 |
|               | SB4 | BLACK  | PRINCIPAL SHADOW | REF: 102 |
|               | SB5 | ORANGE | VOLUME SHADOW    | REF: 744 |



|             |     |            |                  |              |
|-------------|-----|------------|------------------|--------------|
| <b>BORA</b> | SB1 | SANGRIA    | MAIN TOP         | REF: 19-2047 |
|             | SB2 | SANGRIA    | MAIN BOTTOM      | REF: 19-2047 |
|             | SB3 | ROYAL BLUE | HORN             | REF: 317     |
|             | SB4 | BLACK      | PRINCIPAL SHADOW | REF: 102     |
|             | SB5 | WHITE      | VOLUME SHADOW    | REF: 001     |



|               |     |               |                  |              |
|---------------|-----|---------------|------------------|--------------|
| <b>ASTRAL</b> | SB1 | SPECTRA GREEN | MAIN TOP         | REF: 17-5335 |
|               | SB2 | SPECTRA GREEN | MAIN BOTTOM      | REF: 17-5335 |
|               | SB3 | DRAGON RED    | HORN             | REF: 636     |
|               | SB4 | BLACK         | PRINCIPAL SHADOW | REF: 102     |
|               | SB5 | WHITE         | VOLUME SHADOW    | REF: 001     |



WING LOAD TECHNICAL DATA

HOOK 5

| 20     |                   | 22     |                   | 24     |                   | 26     |                   | 28     |                   | 31     |                   |
|--------|-------------------|--------|-------------------|--------|-------------------|--------|-------------------|--------|-------------------|--------|-------------------|
| P.T.V. | kg/m <sup>2</sup> | P.T.V. | kg/m <sup>2</sup> | P.T.V. | kg/m <sup>2</sup> | P.T.V. | kg/m <sup>2</sup> | P.T.V. | kg/m <sup>2</sup> | P.T.V. | kg/m <sup>2</sup> |
| 55     | = 2,75            | 60     | = 2,73            | 70     | = 2,92            | 80     | = 3,08            | 95     | = 3,39            | 110    | = 3,55            |
| 60     | = 3,00            | 65     | = 2,95            | 75     | = 3,13            | 85     | = 3,27            | 100    | = 3,57            | 115    | = 3,71            |
| 65     | = 3,25            | 70     | = 3,18            | 80     | = 3,33            | 90     | = 3,46            | 105    | = 3,75            | 120    | = 3,87            |
| 70     | = 3,50            | 75     | = 3,41            | 85     | = 3,54            | 95     | = 3,65            | 110    | = 3,93            | 125    | = 4,03            |
| 75     | = 3,75            | 80     | = 3,64            | 90     | = 3,75            | 100    | = 3,85            | 115    | = 4,11            | 130    | = 4,19            |
| 80     | = 4,00            | 85     | = 3,86            | 95     | = 3,96            | 105    | = 4,04            | 120    | = 4,29            | 135    | = 4,35            |
| 85     | = 4,25            | 90     | = 4,09            | 100    | = 4,17            | 110    | = 4,23            |        |                   |        |                   |
|        |                   | 95     | = 4,32            | 105    | = 4,38            | 115    | = 4,42            |        |                   |        |                   |
|        |                   |        |                   |        |                   | 120    | = 4,62            |        |                   |        |                   |

LINES TECHNICAL DATA

| HOOK 5 |        |     |         |             | 22       |        |     |         |       |      |        |     |         |      |      |        |    |         |      |        |      |     |        |             |      |
|--------|--------|-----|---------|-------------|----------|--------|-----|---------|-------|------|--------|-----|---------|------|------|--------|----|---------|------|--------|------|-----|--------|-------------|------|
| REF.   | MAT.   | kg  | COLOR   | mm          | REF.     | MAT.   | kg  | COLOR   | mm    | REF. | MAT.   | kg  | COLOR   | mm   | REF. | MAT.   | kg | COLOR   | mm   | REF.   | MAT. | kg  | CO-LOR | mm          |      |
| A      |        |     |         |             | B        |        |     |         |       | C    |        |     |         |      | D    |        |    |         |      | BRAKE  |      |     |        |             |      |
| A1     | 8000/U | 130 | NATURAL | 1847        | B1       | 8000/U | 130 | NATURAL | 1826  | C1   | 8000/U | 50  | NATURAL | 1051 | D1   | 8000/U | 50 | NATURAL | 1166 | BR1    | DC   | 60  | WHT    | 1799        |      |
| A2     | 8000/U | 130 | NATURAL | 1791        | B2       | 8000/U | 130 | NATURAL | 1768  | C2   | 8000/U | 50  | NATURAL | 1024 | D2   | 8000/U | 50 | NATURAL | 1136 | BR2    | DC   | 60  | WHT    | 1598        |      |
| A3     | 8000/U | 130 | NATURAL | 1741        | B3       | 8000/U | 130 | NATURAL | 1723  | C3   | 8000/U | 50  | NATURAL | 973  | D3   | 8000/U | 50 | NATURAL | 1079 | BR3    | DC   | 60  | WHT    | 1518        |      |
| A4     | 8000/U | 130 | NATURAL | 1664        | B4       | 8000/U | 130 | NATURAL | 1598  | C4   | 8000/U | 50  | NATURAL | 901  | D4   | 8000/U | 50 | NATURAL | 1000 | BR4    | DC   | 60  | WHT    | 924         |      |
| A5     | 8000/U | 70  | NATURAL | 1076        | B5       | 8000/U | 70  | NATURAL | 1053  | C5   | 8000/U | 50  | NATURAL | 947  |      |        |    |         |      | BR5    | DC   | 60  | WHT    | 759         |      |
| A6     | 8000/U | 70  | NATURAL | 944         | B6       | 8000/U | 70  | NATURAL | 963   | C6   | 8000/U | 50  | NATURAL | 866  |      |        |    |         |      | BR6    | DC   | 60  | WHT    | 758         |      |
| A7     | 8000/U | 70  | NATURAL | 1005        | B7       | 8000/U | 70  | NATURAL | 930   | C7   | 8000/U | 50  | NATURAL | 808  |      |        |    |         |      | BR7    | DC   | 60  | WHT    | 798         |      |
| A8     | 8000/U | 70  | NATURAL | 947         | B8       | 8000/U | 70  | NATURAL | 926   | C8   | 8000/U | 50  | NATURAL | 825  |      |        |    |         |      | BR8    | DC   | 60  | WHT    | 691         |      |
| A9     | 8000/U | 50  | NATURAL | 756         | B9       | 8000/U | 50  | NATURAL | 734   | C10  | 8000/U | 50  | NATURAL | 1461 |      |        |    |         |      | BR9    | DC   | 60  | WHT    | 562         |      |
| A10    | 8000/U | 50  | NATURAL | 1388        | B10      | 8000/U | 50  | NATURAL | 1389  |      |        |     |         |      |      |        |    |         |      | BR10   | DC   | 60  | WHT    | 539         |      |
|        |        |     |         |             |          |        |     |         |       |      |        |     |         |      |      |        |    |         |      | BR11   | DC   | 60  | WHT    | 525         |      |
| 2A1    | TNL    | 140 | GREEN   | 1078        | 2B1      | TNL    | 140 | BLUE    | 906   | 2C1  | TNL    | 140 | BLUE    | 557  |      |        |    |         |      | 2BR1   | TNL  | 80  | RED    | 2.408       |      |
| 2A2    | TNL    | 140 | GREEN   | 931         | 2B2      | TNL    | 80  | BLUE    | 904   | 2C2  | TNL    | 140 | BLUE    | 532  |      |        |    |         |      |        | 2BR2 | TNL | 80     | RED         | 808  |
|        |        |     |         |             | 3B1      | TNL    | 220 | BLUE    | 2.223 | 2C3  | TNL    | 140 | BLUE    | 557  |      |        |    |         |      |        | 2BR3 | TNL | 80     | RED         | 742  |
|        |        |     |         |             | 3B2      | TNL    | 140 | BLUE    | 1.802 | 2C4  | TNL    | 80  | BLUE    | 484  |      |        |    |         |      |        | 2BR4 | TNL | 80     | RED         | 592  |
|        |        |     |         |             |          |        |     |         |       | 2C5  | TNL    | 80  | BLUE    | 870  |      |        |    |         |      |        | 2BR5 | TNL | 80     | RED         | 512  |
|        |        |     |         |             | 2ST1     | 8000/U | 50  | NATURAL | 734   | 2C6  | TNL    | 80  | BLUE    | 910  |      |        |    |         |      |        | 3BR1 | TNL | 80     | RED         | 2142 |
|        |        |     |         |             |          |        |     |         |       | 3C1  | TNL    | 220 | BLUE    | 1933 |      |        |    |         |      |        | 3BR2 | TNL | 80     | RED         | 2353 |
|        |        |     |         |             |          |        |     |         |       | 3C2  | TNL    | 80  | BLUE    | 1439 |      |        |    |         |      |        |      |     |        |             |      |
| 3A1    | TNL    | 280 | GREEN   | 4327        | 4B1      | TNL    | 280 | BLUE    | 4248  | 4C1  | TNL    | 280 | BLUE    | 4524 |      |        |    |         |      | BRMAIN | TNL  | 280 | RED    | 2750        |      |
| 3A2    | TNL    | 280 | GREEN   | 4310        | 4B2      | TNL    | 280 | BLUE    | 2078  | 4C2  | TNL    | 280 | BLUE    | 2648 |      |        |    |         |      |        |      |     |        | KNOT POINT: | 2550 |
| 3A3    | TNL    | 280 | GREEN   | <b>3765</b> | STB MAIN | TNL    | 80  | RED     | 3942  |      |        |     |         |      |      |        |    |         |      |        |      |     |        |             |      |





LINES TECHNICAL DATA

| HOOK 5 |        |     |         |      | 24       |        |     |         |       |      |        |     |         |      |      |        |    |         |      |        |      |     |             |       |
|--------|--------|-----|---------|------|----------|--------|-----|---------|-------|------|--------|-----|---------|------|------|--------|----|---------|------|--------|------|-----|-------------|-------|
| REF.   | MAT.   | kg  | COLOR   | mm   | REF.     | MAT.   | kg  | COLOR   | mm    | REF. | MAT.   | kg  | COLOR   | mm   | REF. | MAT.   | kg | COLOR   | mm   | REF.   | MAT. | kg  | COLOR       | mm    |
| A      |        |     |         |      | B        |        |     |         |       | C    |        |     |         |      | D    |        |    |         |      | BRAKE  |      |     |             |       |
| A1     | 8000/U | 130 | NATURAL | 1927 | B1       | 8000/U | 130 | NATURAL | 1906  | C1   | 8000/U | 50  | NATURAL | 1098 | D1   | 8000/U | 50 | NATURAL | 1217 | BR1    | DC   | 60  | WHT         | 1879  |
| A2     | 8000/U | 130 | NATURAL | 1871 | B2       | 8000/U | 130 | NATURAL | 1848  | C2   | 8000/U | 50  | NATURAL | 1070 | D2   | 8000/U | 50 | NATURAL | 1186 | BR2    | DC   | 60  | WHT         | 1670  |
| A3     | 8000/U | 130 | NATURAL | 1819 | B3       | 8000/U | 130 | NATURAL | 1799  | C3   | 8000/U | 50  | NATURAL | 1016 | D3   | 8000/U | 50 | NATURAL | 1127 | BR3    | DC   | 60  | WHT         | 1586  |
| A4     | 8000/U | 130 | NATURAL | 1739 | B4       | 8000/U | 130 | NATURAL | 1670  | C4   | 8000/U | 50  | NATURAL | 942  | D4   | 8000/U | 50 | NATURAL | 1044 | BR4    | DC   | 60  | WHT         | 965   |
| A5     | 8000/U | 70  | NATURAL | 1124 | B5       | 8000/U | 70  | NATURAL | 1100  | C5   | 8000/U | 50  | NATURAL | 989  |      |        |    |         |      | BR5    | DC   | 60  | WHT         | 793   |
| A6     | 8000/U | 70  | NATURAL | 987  | B6       | 8000/U | 70  | NATURAL | 1006  | C6   | 8000/U | 50  | NATURAL | 905  |      |        |    |         |      | BR6    | DC   | 60  | WHT         | 792   |
| A7     | 8000/U | 70  | NATURAL | 1050 | B7       | 8000/U | 70  | NATURAL | 971   | C7   | 8000/U | 50  | NATURAL | 844  |      |        |    |         |      | BR7    | DC   | 60  | WHT         | 835   |
| A8     | 8000/U | 70  | NATURAL | 990  | B8       | 8000/U | 70  | NATURAL | 968   | C8   | 8000/U | 50  | NATURAL | 862  |      |        |    |         |      | BR8    | DC   | 60  | WHT         | 705   |
| A9     | 8000/U | 50  | NATURAL | 790  | B9       | 8000/U | 50  | NATURAL | 766   | C10  | 8000/U | 50  | NATURAL | 1526 |      |        |    |         |      | BR9    | DC   | 60  | WHT         | 570   |
| A10    | 8000/U | 50  | NATURAL | 1450 | B10      | 8000/U | 50  | NATURAL | 1451  |      |        |     |         |      |      |        |    |         |      | BR10   | DC   | 60  | WHT         | 559   |
|        |        |     |         |      |          |        |     |         |       |      |        |     |         |      |      |        |    |         |      | BR11   | DC   | 60  | WHT         | 557   |
| 2A1    | TNL    | 140 | GREEN   | 1125 | 2B1      | TNL    | 140 | BLUE    | 947   | 2C1  | TNL    | 140 | BLUE    | 581  |      |        |    |         |      | 2BR1   | TNL  | 80  | RED         | 2.507 |
| 2A2    | TNL    | 140 | GREEN   | 973  | 2B2      | TNL    | 80  | BLUE    | 946   | 2C2  | TNL    | 140 | BLUE    | 557  |      |        |    |         |      | 2BR2   | TNL  | 80  | RED         | 843   |
|        |        |     |         |      | 3B1      | TNL    | 220 | BLUE    | 2.321 | 2C3  | TNL    | 140 | BLUE    | 582  |      |        |    |         |      | 2BR3   | TNL  | 80  | RED         | 776   |
|        |        |     |         |      | 3B2      | TNL    | 140 | BLUE    | 1.884 | 2C4  | TNL    | 80  | BLUE    | 506  |      |        |    |         |      | 2BR4   | TNL  | 80  | Red         | 601   |
|        |        |     |         |      |          |        |     |         |       | 2C5  | TNL    | 80  | Blue    | 908  |      |        |    |         |      | 2BR5   | TNL  | 80  | Red         | 497   |
|        |        |     |         |      | 2ST1     | 8000/U | 50  | NATURAL | 767   | 2C6  | TNL    | 80  | BLUE    | 951  |      |        |    |         |      | 3BR1   | TNL  | 80  | RED         | 2233  |
|        |        |     |         |      |          |        |     |         |       | 3C1  | TNL    | 220 | BLUE    | 2018 |      |        |    |         |      | 3BR2   | TNL  | 80  | RED         | 2492  |
|        |        |     |         |      |          |        |     |         |       | 3C2  | TNL    | 80  | BLUE    | 1503 |      |        |    |         |      |        |      |     |             |       |
| 3A1    | TNL    | 280 | GREEN   | 4536 | 4B1      | TNL    | 280 | BLUE    | 4456  | 4C1  | TNL    | 280 | BLUE    | 4747 |      |        |    |         |      | BRMAIN | TNL  | 280 | RED         | 2890  |
| 3A2    | TNL    | 280 | GREEN   | 4527 | 4B2      | TNL    | 280 | BLUE    | 2197  | 4C2  | TNL    | 280 | BLUE    | 2793 |      |        |    |         |      |        |      |     | KNOT POINT: | 2690  |
| 3A3    | TNL    | 280 | GREEN   | 3960 | STB MAIN | TNL    | 80  | RED     | 4147  |      |        |     |         |      |      |        |    |         |      |        |      |     |             |       |



**LINES TECHNICAL DATA**

| HOOK 5 |        |     |         |      | 26       |        |     |         |       |      |        |     |         |      |      |        |    |         |      |        |      |     |             |       |
|--------|--------|-----|---------|------|----------|--------|-----|---------|-------|------|--------|-----|---------|------|------|--------|----|---------|------|--------|------|-----|-------------|-------|
| REF.   | MAT.   | kg  | COLOR   | mm   | REF.     | MAT.   | kg  | COLOR   | mm    | REF. | MAT.   | kg  | COLOR   | mm   | REF. | MAT.   | kg | COLOR   | mm   | REF.   | MAT. | kg  | COLOR       | mm    |
| A      |        |     |         |      | B        |        |     |         |       | C    |        |     |         |      | D    |        |    |         |      | BRAKE  |      |     |             |       |
| A1     | 8000/U | 130 | NATURAL | 2007 | B1       | 8000/U | 130 | NATURAL | 1983  | C1   | 8000/U | 50  | NATURAL | 1143 | D1   | 8000/U | 50 | NATURAL | 1267 | BR1    | DC   | 60  | WHT         | 1955  |
| A2     | 8000/U | 130 | NATURAL | 1950 | B2       | 8000/U | 130 | NATURAL | 1925  | C2   | 8000/U | 50  | NATURAL | 1114 | D2   | 8000/U | 50 | NATURAL | 1235 | BR2    | DC   | 60  | WHT         | 1739  |
| A3     | 8000/U | 130 | NATURAL | 1892 | B3       | 8000/U | 130 | NATURAL | 1872  | C3   | 8000/U | 50  | NATURAL | 1058 | D3   | 8000/U | 50 | NATURAL | 1173 | BR3    | DC   | 60  | WHT         | 1653  |
| A4     | 8000/U | 130 | NATURAL | 1811 | B4       | 8000/U | 130 | NATURAL | 1740  | C4   | 8000/U | 50  | NATURAL | 980  | D4   | 8000/U | 50 | NATURAL | 1087 | BR4    | DC   | 60  | WHT         | 1004  |
| A5     | 8000/U | 70  | NATURAL | 1170 | B5       | 8000/U | 70  | NATURAL | 1145  | C5   | 8000/U | 50  | NATURAL | 1029 |      |        |    |         |      | BR5    | DC   | 60  | WHT         | 825   |
| A6     | 8000/U | 70  | NATURAL | 1027 | B6       | 8000/U | 70  | NATURAL | 1048  | C6   | 8000/U | 50  | NATURAL | 942  |      |        |    |         |      | BR6    | DC   | 60  | WHT         | 824   |
| A7     | 8000/U | 70  | NATURAL | 1093 | B7       | 8000/U | 70  | NATURAL | 1011  | C7   | 8000/U | 50  | NATURAL | 878  |      |        |    |         |      | BR7    | DC   | 60  | WHT         | 870   |
| A8     | 8000/U | 70  | NATURAL | 1030 | B8       | 8000/U | 70  | NATURAL | 1008  | C8   | 8000/U | 50  | NATURAL | 897  |      |        |    |         |      | BR8    | DC   | 60  | WHT         | 750   |
| A9     | 8000/U | 50  | NATURAL | 822  | B9       | 8000/U | 50  | NATURAL | 797   | C10  | 8000/U | 50  | NATURAL | 1588 |      |        |    |         |      | BR9    | DC   | 60  | WHT         | 611   |
| A10    | 8000/U | 50  | NATURAL | 1509 | B10      | 8000/U | 50  | NATURAL | 1511  |      |        |     |         |      |      |        |    |         |      | BR10   | DC   | 60  | WHT         | 586   |
|        |        |     |         |      |          |        |     |         |       |      |        |     |         |      |      |        |    |         |      | BR11   | DC   | 60  | WHT         | 572   |
| 2A1    | TNL    | 140 | GREEN   | 1171 | 2B1      | TNL    | 140 | BLUE    | 985   | 2C1  | TNL    | 140 | BLUE    | 604  |      |        |    |         |      | 2BR1   | TNL  | 80  | RED         | 2.611 |
| 2A2    | TNL    | 140 | GREEN   | 1014 | 2B2      | TNL    | 80  | BLUE    | 987   | 2C2  | TNL    | 140 | BLUE    | 581  |      |        |    |         |      | 2BR2   | TNL  | 80  | RED         | 878   |
|        |        |     |         |      | 3B1      | TNL    | 220 | BLUE    | 2.415 | 2C3  | TNL    | 140 | BLUE    | 605  |      |        |    |         |      | 2BR3   | TNL  | 80  | RED         | 808   |
|        |        |     |         |      | 3B2      | TNL    | 140 | BLUE    | 1.962 | 2C4  | TNL    | 80  | BLUE    | 527  |      |        |    |         |      | 2BR4   | TNL  | 80  | Red         | 644   |
|        |        |     |         |      |          |        |     |         |       | 2C5  | TNL    | 80  | Blue    | 945  |      |        |    |         |      | 2BR5   | TNL  | 80  | Red         | 557   |
|        |        |     |         |      | 2ST1     | 8000/U | 50  | NATURAL | 798   | 2C6  | TNL    | 80  | BLUE    | 991  |      |        |    |         |      | 3BR1   | TNL  | 80  | RED         | 2329  |
|        |        |     |         |      |          |        |     |         |       | 3C1  | TNL    | 220 | BLUE    | 2099 |      |        |    |         |      | 3BR2   | TNL  | 80  | RED         | 2566  |
|        |        |     |         |      |          |        |     |         |       | 3C2  | TNL    | 80  | BLUE    | 1566 |      |        |    |         |      |        |      |     |             |       |
| 3A1    | TNL    | 280 | GREEN   | 4747 | 4B1      | TNL    | 280 | BLUE    | 4657  | 4C1  | TNL    | 280 | BLUE    | 4961 |      |        |    |         |      | BRMAIN | TNL  | 280 | RED         | 3015  |
| 3A2    | TNL    | 280 | GREEN   | 4735 | 4B2      | TNL    | 280 | BLUE    | 2311  | 4C2  | TNL    | 280 | BLUE    | 2931 |      |        |    |         |      |        |      |     | KNOT POINT: | 2815  |
| 3A3    | TNL    | 280 | GREEN   | 4148 | STB MAIN | TNL    | 80  | RED     | 4343  |      |        |     |         |      |      |        |    |         |      |        |      |     |             |       |



NIVIUK HOOK 5 22

LINES HEIGHT + RISER mm

|    | A       | B       | C       | D       | br      |
|----|---------|---------|---------|---------|---------|
| 1  | 6161,1  | 6064    | 6109,5  | 6222,95 | 6770,1  |
| 2  | 6106,9  | 6004,6  | 6054,95 | 6166,75 | 6569,5  |
| 3  | 6037,85 | 6008,15 | 6089,25 | 6196,05 | 6487,75 |
| 4  | 5960    | 5886,8  | 5945,5  | 6043,45 | 6434    |
| 5  | 5901,1  | 5822,5  | 5880,1  |         | 6270,15 |
| 6  | 5769    | 5731    | 5798,85 |         | 6200,2  |
| 7  | 5677,85 | 5698,5  | 5782,2  |         | 6241,9  |
| 8  | 5620,55 | 5694,5  | 5800,4  |         | 6196,9  |
| 9  | 5414,85 | 5390,4  | 5394,25 |         | 6067,85 |
| 10 | 5319,95 | 5321,9  |         |         | 5963,85 |
| 11 |         |         |         |         | 5949,45 |

RISERS LENGHT mm

|  | A   | B   | C   |             |
|--|-----|-----|-----|-------------|
|  | 470 | 470 | 470 | STANDARD    |
|  | 340 | 380 | 470 | ACCELERATED |

NIVIUK HOOK 5 24

LINES HEIGHT + RISER mm

|    | A       | B       | C       | D       | br      |
|----|---------|---------|---------|---------|---------|
| 1  | 6455,65 | 6346,6  | 6411,2  | 6525,85 | 7093,05 |
| 2  | 6399,6  | 6288,2  | 6353,7  | 6469,65 | 6885,3  |
| 3  | 6335,35 | 6299,4  | 6388,5  | 6498,25 | 6799    |
| 4  | 6256,9  | 6173,25 | 6242,65 | 6340,15 | 6741,05 |
| 5  | 6201,4  | 6111,85 | 6170,95 |         | 6571,3  |
| 6  | 6064,35 | 6016,85 | 6092    |         | 6504,5  |
| 7  | 5973,5  | 5978    | 6072,9  |         | 6546,9  |
| 8  | 5909,75 | 5971,05 | 6087,85 |         | 6500,9  |
| 9  | 5695,6  | 5669,55 | 5666,25 |         | 6364,3  |
| 10 | 5585,55 | 5588,15 |         |         | 6254,35 |
| 11 |         |         |         |         | 6247    |

RISERS LENGHT mm

|  | A   | B   | C   |             |
|--|-----|-----|-----|-------------|
|  | 470 | 470 | 470 | STANDARD    |
|  | 340 | 380 | 470 | ACCELERATED |

LINES HEIGHT + RISER mm

|    | A       | B       | C       | D       | br      |
|----|---------|---------|---------|---------|---------|
| 1  | 6742,7  | 6626,75 | 6689,6  | 6811,55 | 7396,05 |
| 2  | 6686,15 | 6569,1  | 6639,5  | 6760,3  | 7181,45 |
| 3  | 6616,8  | 6578,1  | 6668,5  | 6781,5  | 7095,75 |
| 4  | 6540,65 | 6449,25 | 6509,85 | 6618,3  | 7034    |
| 5  | 6473,2  | 6379,85 | 6445,3  |         | 6857,75 |
| 6  | 6331,75 | 6282,7  | 6359,35 |         | 6785    |
| 7  | 6237,95 | 6247,05 | 6338,75 |         | 6831,4  |
| 8  | 6174,45 | 6246,55 | 6359,9  |         | 6783,7  |
| 9  | 5944,65 | 5924,1  | 5920,85 |         | 6646,95 |
| 10 | 5844,7  | 5845,2  |         |         | 6532,85 |
| 11 |         |         |         |         | 6517,65 |

RISERS LENGHT mm

| A   | B   | C   |             |
|-----|-----|-----|-------------|
| 470 | 470 | 470 | STANDARD    |
| 340 | 380 | 470 | ACCELERATED |

**SUSPENSION TECHNICAL DATA**

**HOOK 5**

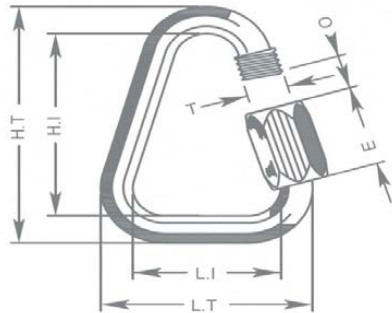
|                                     |              |         |          |          |          |           |           |           |           |
|-------------------------------------|--------------|---------|----------|----------|----------|-----------|-----------|-----------|-----------|
| MATERIAL CODE                       |              | DC      | A-8000/U | A-8000/U | A-8000/U | TNL       | TNL       | TNL       | TNL       |
| STRENGTH CODE                       |              | 060     | 050      | 070      | 130      | 080       | 140       | 220       | 280       |
| DIAMETER mm                         | Ø            | 0,6     | 0,5      | 0,7      | 0,9      | 1,1       | 1,4       | 1,6       | 1,8       |
| CORE MATERIAL                       |              | DYNEEMA | ARAMID   | ARAMID   | ARAMID   | TECHNORA  | TECHNORA  | TECHNORA  | TECHNORA  |
| SLEEVE MATERIAL                     |              | NO      | NO       | NO       | NO       | POLYESTER | POLYESTER | POLYESTER | POLYESTER |
| WEIGHT G/M                          | TOTAL        | 0,24    | 0,3      | 0,4      | 0,8      | 1,1       | 1,2       | 1,6       | 2,7       |
| BREAKING STRENGTH                   | MINIMUM      | 60      | 50       | 70       | 130      | 80        | 140       | 220       | 280       |
|                                     | MAXIMUM      | 84      | 59       | 78       | 144      | 92        | 160       | 250       | 320       |
| STRENGTH AFTER                      |              |         |          |          |          |           |           |           |           |
| 5.000 BENDING                       | TEST EN      | 74      | 26       | 39       | 88       | 36,7      | 76,1      | 114,2     | 134,7     |
| CYCLES                              |              |         |          |          |          |           |           |           |           |
| ELONGATION AT                       | 5 DAN EN %   |         | 0,4      | 0,5      | 0,4      | 0,3       | 0,2       | 0,2       | 0,2       |
|                                     | 10 DAN EN %  | 0,43    | 0,7      | 0,7      | 0,6      | 0,5       | 0,3       | 0,3       | 0,3       |
|                                     | 15 DAN EN %  |         | 1,1      | 1        | 0,8      | 0,7       | 0,5       | 0,5       | 0,4       |
|                                     | 20 DAN EN %  |         | 1,5      | 1,3      | 0,9      | 1         | 0,6       | 0,6       | 0,4       |
|                                     | 25 DAN EN %  |         | 1,9      | 1,5      | 1        | 1,3       | 0,8       | 0,7       | 0,5       |
|                                     | 30 DAN EN %  | 1,2     | 3,3      | 2,8      | 1,8      | 2,3       | 1,5       | 1,2       | 0,9       |
|                                     | 75 DAN EN %  |         |          | 3,7      | 3,1      | 2,8       | 2,3       | 1,8       | 1,3       |
|                                     | 100 DAN EN % |         |          |          |          |           | 2,7       | 2,2       | 1,7       |
|                                     | 125 DAN EN % |         |          |          |          |           | 3,2       | 2,7       | 2         |
|                                     | 150 DAN EN % |         |          |          |          |           |           | 3         | 2,3       |
|                                     | 175 DAN EN % |         |          |          |          |           |           | 3,3       | 2,7       |
|                                     | 200 DAN EN % |         |          |          |          |           |           | 3,8       | 2,8       |
|                                     | 250 DAN EN % |         |          |          |          |           |           |           |           |
| ELONGATION MAX. BREAKING STRENGTH % |              | 3,2     | 3,8      | 3,9      | 4        | 3         | 3,4       | 4         | 4,1       |

## MAILLON TECHNICAL DATA

### DESCRIPTION

|          |                   |
|----------|-------------------|
| MAILLON  | DELTA             |
| CODE     | MRI4              |
| MATERIAL | STAINLESS STEEL   |
| SIZE     | 4,3 m/m           |
| WEIGHT   | 12 G/PIECE        |
| QUANTITY | 8 PIECES          |
| INSERTS  | 4 GREEN / 4 BLACK |

### TECHNICAL SPECIFICATIONS



| DIMENSIONS    | mm  |
|---------------|-----|
| L.T.          | 28  |
| L.I.          | 20  |
| H.T.          | 38  |
| H.I.          | 30  |
| O             | 4   |
| E             | 11  |
| T             | 4   |
| LOAD          | KG  |
| WORKING LIMIT | 150 |
| BREAKING      | 750 |

### MATERIAL

AISI 304 STAINLESS STEEL STANDARD

CLOSING APPLIED BY MANUAL & ENTIRE SCREWING OF THE NUT  
TO GUARANTEE THE HIGHEST SAFETY (NO THREAD SHOULD BE OBVIOUS)

SYSTEMATIC CONTROL OF MAILLON QUICK-LINKS BEFORE EVERY FLIGHT

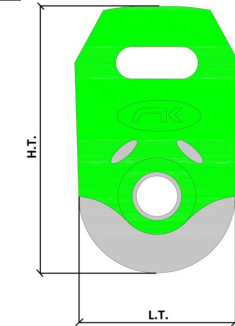
## PULLEY TECHNICAL DATA

### DESCRIPTION

|          |                 |
|----------|-----------------|
| PULLEY   | 20 m/m          |
| CODE     | ID018041        |
| MATERIAL | STAINLESS STEEL |
|          | NYLON           |
|          | CARBON ACETAL   |
| BEARING  | DELRIN®         |
| WEIGHT   | 14 G/PIECE      |

### TECHNICAL SPECIFICATIONS

| DIMENSIONS    | mm    |
|---------------|-------|
| L.T.          | 20    |
| H.T.          | 33    |
| Ø             | 5 MAX |
| LOAD          | kg    |
| WORKING LIMIT | 200   |
| BREAKING      | 400   |



**THREAD TECHNICAL DATA****SAIL MAKING**

|                   |                          |
|-------------------|--------------------------|
| NAME              | SERAFIL                  |
| N° OF REFERENCE   | 60                       |
| MATERIAL          | POLYESTER                |
| TYPE OF FINISH    | SILK                     |
| LINEAR DENSITY    | NM 61 / 3 (DTEX 163 * 3) |
| BREAKING STRENGTH | 3,000 CN                 |
| ELONGATION        | 17,00%                   |

**SERAFIL PROPERTIES**

|                           |                     |
|---------------------------|---------------------|
| SOLIDITY ARTIFICIAL LIGTH | ISO 105 B02 > 5 - 6 |
| SOLIDITY SWEAT            | ISO 105 E04 > 4     |
| SOLIDITY WASHING          | ISO 105 C04 > 3     |
| SOLIDITY GRAZE IN DRY     | ISO 105 X12 > 4     |
| SOLIDITY WASHING IN DRY   | ISO 105 D01 > 3 - 4 |

|                           |    |
|---------------------------|----|
| TREATMENT WATER REPELLENT | WR |
|---------------------------|----|

**RISERS MAKING**

|                   |                     |
|-------------------|---------------------|
| NAME              | COATS BONDED C.F.P. |
| N° OF REFERENCE   | V138                |
| MATERIAL          | POLYESTER           |
| TYPE OF FINISH    | SILK                |
| BREAKING STRENGTH | 9,5 KG              |
| ELONGATION        | 19%                 |

**RISERS TECHNICAL DATA****RISERS**

|                   |                      |
|-------------------|----------------------|
| N° OF REFERENCE   | WD103                |
| MATERIAL          | POLYESTER & TECHNORA |
| WIDTH             | 19 M/M               |
| THICKNESS         | 1,6 M/M              |
| BREAKING STRENGTH | 850 KG               |
| ELONGATION        | MAX. 12%             |
| WEIGHT            | 23 G/M               |
| COLOR             | BLACK                |

**COLOR INDICATOR**

|                   |             |
|-------------------|-------------|
| N° OF REFERENCE   | IC-G 1-2    |
| MATERIAL          | POLYESTER   |
| WIDTH             | 70 M/M      |
| THICKNESS         | 0,80 M/M    |
| BREAKING STRENGTH | 130 DN      |
| ELONGATION        | 35 %        |
| WEIGHT            | 32 G * L.M. |
| COLOR             | GREEN       |

**LOOPS**

|                   |          |
|-------------------|----------|
| N° OF REFERENCE   | LKI - 10 |
| MATERIAL          | NYLON    |
| WIDTH             | 10 M/M   |
| BREAKING STRENGTH | 84 KG    |
| ELONGATION        | 30 %     |
| WEIGHT            | 5,5 G/M  |
| COLOR             | WHITE    |

