

# **TECHNICAL SPECIFICATIONS**

## **SKIN 2**



**TECHNICAL DATA**

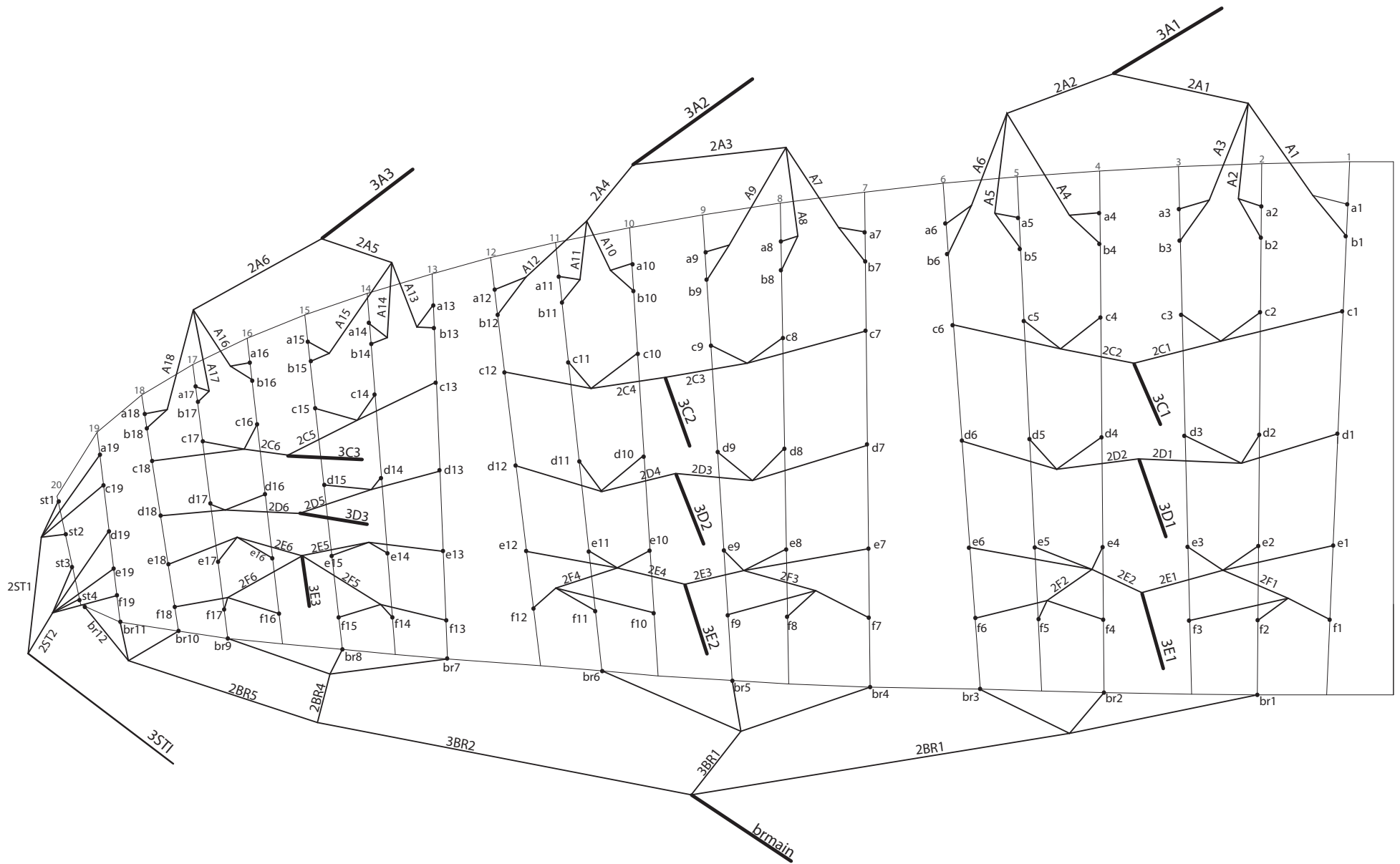
<b>SKIN 2</b>		<b>16</b>	<b>18</b>	<b>20</b>
CELLS	NUMBER	39	39	39
	BOX	39	39	39
FLAT	AREA	m <sup>2</sup> 16	18	20
	SPAN	m 9,38	9,95	10,5
	ASPECT RATIO	5,5	5,5	5,5
PROJECTED	AREA	m <sup>2</sup> 13,5	15,2	16,9
	SPAN	m 7,46	7,92	8,34
	ASPECT RATIO	4,12	4,12	4,12
FLATTENING	%	15	15	15
CORD	MAXIMUM	m 2,11	2,24	2,36
	MINIMUM	m 0,44	0,46	0,49
	AVERAGE	m 1,71	1,81	1,9
LINES	TOTAL METERS	m 383	407	429
	HEIGHT	m 5,9	6,3	6,6
	NUMBER	396	396	396
	MAIN	3/4/3/3	3/4/3/3	3/4/3/3
RISERS	NUMBER	4	A/B/C/D	A/B/C/D
	TRIMS	YES	YES	YES
	ACCELERATOR	m/m 70	70	70
TOTAL WEIGHT	MINIMUM	kg 60	70	85
IN FLIGHT	MAXIMUM	kg 85	90	110
GLIDER WEIGHT		kg 2,3	2,5	2,7
CERTIFICATION	EN/LTF	-	B	-
	EN	926-1	926-1	926-1

**MATERIALS TECHNICAL DATA**

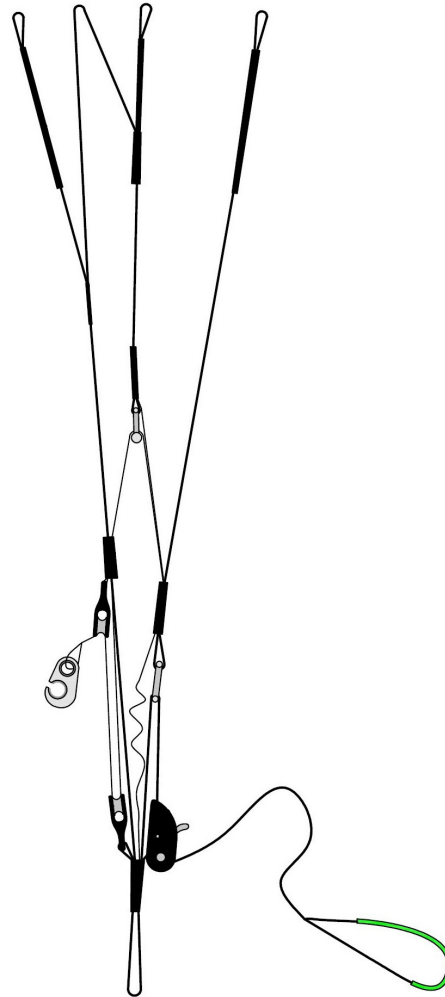
<b>CANOPY</b>	<b>FABRIC CODE</b>	<b>SUPPLIER</b>
UPPER SURFACE	9017 E25	PORCHER IND (FRANCE)
UPPER SURFACE FOR THE REST	70032 E3W	PORCHER IND (FRANCE)
BOTTOM SURFACE	70032 E3W	PORCHER IND (FRANCE)
RIBS	70032 E4D	PORCHER IND (FRANCE)
LOOPS	LKI - 10	KOLON IND. (KOREA)
TRAILING EDGE REINFORCEMENT	MYLAR 20	D-P (GERMANY)
REINFORCEMENT RIBS	LTN-0.8 STICK	SPORTWARE CO. (CHINA)
THREAD	SERAFIL 60	AMAN (GERMANY)

<b>SUSPENSION LINES</b>	<b>FABRIC CODE</b>	<b>SUPPLIER</b>
UPPER CASCADES	DC - 40	LIROS GMHB (GERMANY)
UPPER CASCADES	8000/U - 50	EDELRID (GERMANY)
UPPER CASCADES	8000/U - 70	EDELRID (GERMANY)
MIDDLE CASCADES	DC - 40	LIROS GMHB (GERMANY)
MIDDLE CASCADES	DC - 60	LIROS GMHB (GERMANY)
MIDDLE CASCADES	8000/U - 50	EDELRID (GERMANY)
MIDDLE CASCADES	8000/U - 70	EDELRID (GERMANY)
MIDDLE CASCADES	TNL-80	TEIJIM LIMITED (JAPAN)
MIDDLE CASCADES	TNL-140	TEIJIM LIMITED (JAPAN)
MAIN	TNL-80	TEIJIM LIMITED (JAPAN)
MAIN	TNL-140	TEIJIM LIMITED (JAPAN)
MAIN	TNL-220	TEIJIM LIMITED (JAPAN)
MAIN BREAK	TNL-280	TEIJIM LIMITED (JAPAN)
THREAD	SERAFIL 60	AMAN (GERMANY)

<b>RISERS</b>	<b>FABRIC CODE</b>	<b>SUPPLIER</b>
MATERIAL	3455	COUSIN (FRANCE)
COLOR INDICATOR	PAD	TECNI SANGLES (FRANCE)
THREAD	V138	COATS (ENGLAND)
MAILLONS	3.5	ANSUNG PRECISION (KOREA)
PULLEYS	PY - 1304-2	ANSUNG PRECISION (KOREA)



<b>A</b>	<b>B</b>	<b>C</b>	<b>D</b>
3A1	3C1	3D1	3E1
3A2	3C2	3D2	3E2
3A3	3C3	3D3	3E3
	3STI		

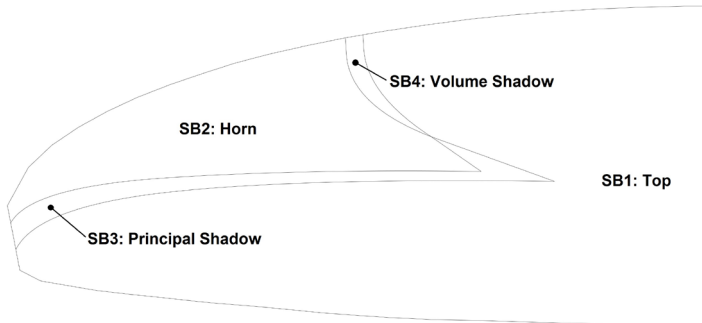


**COLORS TECHNICAL DATA**

<b>MONARCA</b>	SB1	GOLD	MAIN TOP	REF: 939
	SB2	ORANGE	HORN	REF: 744
	SB3	BLACK	SHADOW	REF: 102
	SB4	WHITE	VOLUME SHADOW	REF: 001



<b>PASSION</b>	SB1	RED	MAIN TOP	REF: 636
	SB2	WHITE	HORN	REF: 001
	SB3	BLACK	SHADOW	REF: 102
	SB4	ORANGE	VOLUME SHADOW	REF: 744



WING LOAD TECHNICAL DATA

SKIN 2

16		18		20	
P.T.V.	kg/m <sup>2</sup>	P.T.V.	kg/m <sup>2</sup>	P.T.V.	kg/m <sup>2</sup>
60	= 3,75	70	= 3,89	85	= 4,25
61	= 3,81	71	= 3,94	86	= 4,30
62	= 3,88	72	= 4,00	87	= 4,35
63	= 3,94	73	= 4,06	88	= 4,40
64	= 4,00	74	= 4,11	89	= 4,45
65	= 4,06	75	= 4,17	90	= 4,50
66	= 4,13	76	= 4,22	91	= 4,55
67	= 4,19	77	= 4,28	92	= 4,60
68	= 4,25	78	= 4,33	93	= 4,65
69	= 4,31	79	= 4,39	94	= 4,70
70	= 4,38	80	= 4,44	95	= 4,75
71	= 4,44	81	= 4,50	96	= 4,80
72	= 4,50	82	= 4,56	97	= 4,85
73	= 4,56	83	= 4,61	98	= 4,90
74	= 4,63	84	= 4,67	99	= 4,95
75	= 4,69	85	= 4,72	100	= 5,00
76	= 4,75	86	= 4,78	101	= 5,05
77	= 4,81	87	= 4,83	102	= 5,10
78	= 4,88	88	= 4,89	103	= 5,15
79	= 4,94	89	= 4,94	104	= 5,20
80	= 5,00	90	= 5,00	105	= 5,25
81	= 5,06			106	= 5,30
82	= 5,13			107	= 5,35
83	= 5,19			108	= 5,40
84	= 5,25			109	= 5,45
85	= 5,31			110	= 5,50

**LINES TECHNICAL DATA**

**SKIN 2** **16**

ref.	mat.	kg	colour	m/m	ref.	mat.	kg	colour	m/m	ref.	mat.	kg	colour	m/m	ref.	mat.	kg	colour	m/m	ref.	mat.	kg	colour	m/m	ref.	mat.	kg	colour	m/m					
<b>A</b>					<b>B</b>					<b>C</b>					<b>D</b>					<b>E</b>					<b>F</b>					<b>BRAKE</b>				
a1	8000/U	50	NATURE	300	b1	8000/U	50	NATURE	281	c1	8000/U	70	NATURE	1.244	d1	8000/U	70	NATURE	1.174	e1	8000/U	50	NATURE	1.096	f1	8000/U	50	NATURE	778	br1	DC	40	WHT	1.782
a2	8000/U	50	NATURE	298	b2	8000/U	50	NATURE	281	c2	8000/U	70	NATURE	1.185	d2	8000/U	70	NATURE	1.113	e2	8000/U	50	NATURE	1.024	f2	8000/U	50	NATURE	702	br2	DC	40	WHT	1.538
a3	8000/U	50	NATURE	303	b3	8000/U	50	NATURE	255	c3	8000/U	70	NATURE	1.136	d3	8000/U	70	NATURE	1.070	e3	8000/U	50	NATURE	993	f3	8000/U	50	NATURE	729	br3	DC	40	WHT	1.445
a4	8000/U	50	NATURE	300	b4	8000/U	50	NATURE	251	c4	8000/U	70	NATURE	1.020	d4	8000/U	70	NATURE	979	e4	8000/U	50	NATURE	965	f4	8000/U	50	NATURE	711	br4	DC	40	WHT	1.646
a5	8000/U	50	NATURE	289	b5	8000/U	50	NATURE	274	c5	8000/U	70	NATURE	1.058	d5	8000/U	70	NATURE	1.009	e5	8000/U	50	NATURE	967	f5	8000/U	50	NATURE	656	br5	DC	40	WHT	1.541
a6	8000/U	50	NATURE	288	b6	8000/U	50	NATURE	273	c6	8000/U	70	NATURE	1.101	d6	8000/U	70	NATURE	1.050	e6	8000/U	50	NATURE	1.002	f6	8000/U	50	NATURE	696	br6	DC	40	WHT	1.524
a7	8000/U	50	NATURE	283	b7	8000/U	50	NATURE	264	c7	8000/U	70	NATURE	1.167	d7	8000/U	70	NATURE	1.134	e7	8000/U	50	NATURE	1.098	f7	8000/U	50	NATURE	791	br7	DC	40	WHT	1.165
a8	8000/U	50	NATURE	270	b8	8000/U	50	NATURE	255	c8	8000/U	70	NATURE	1.090	d8	8000/U	70	NATURE	1.059	e8	8000/U	50	NATURE	1.024	f8	8000/U	50	NATURE	707	br8	DC	40	WHT	1.068
a9	8000/U	50	NATURE	269	b9	8000/U	50	NATURE	229	c9	8000/U	70	NATURE	1.030	d9	8000/U	70	NATURE	1.009	e9	8000/U	50	NATURE	994	f9	8000/U	50	NATURE	728	br9	DC	40	WHT	1.036
a10	8000/U	50	NATURE	259	b10	8000/U	50	NATURE	219	c10	8000/U	70	NATURE	975	d10	8000/U	70	NATURE	942	e10	8000/U	50	NATURE	918	f10	8000/U	50	NATURE	679	br10	DC	40	WHT	454
a11	8000/U	50	NATURE	240	b11	8000/U	50	NATURE	232	c11	8000/U	70	NATURE	995	d11	8000/U	70	NATURE	956	e11	8000/U	50	NATURE	914	f11	8000/U	50	NATURE	623	br11	DC	40	WHT	440
a12	8000/U	50	NATURE	230	b12	8000/U	50	NATURE	224	c12	8000/U	70	NATURE	1.017	d12	8000/U	70	NATURE	979	e12	8000/U	50	NATURE	937	f12	8000/U	50	NATURE	651	br12	DC	40	WHT	480
a13	8000/U	50	NATURE	226	b13	8000/U	50	NATURE	206	c13	8000/U	50	NATURE	876	d13	8000/U	50	NATURE	851	e13	8000/U	50	NATURE	829	f13	8000/U	50	NATURE	607					
a14	8000/U	50	NATURE	207	b14	8000/U	50	NATURE	190	c14	8000/U	50	NATURE	786	d14	8000/U	50	NATURE	772	e14	8000/U	50	NATURE	753	f14	8000/U	50	NATURE	528					
a15	8000/U	50	NATURE	193	b15	8000/U	50	NATURE	163	c15	8000/U	50	NATURE	703	d15	8000/U	50	NATURE	702	e15	8000/U	50	NATURE	699	f15	8000/U	50	NATURE	511					
a16	8000/U	50	NATURE	173	b16	8000/U	50	NATURE	138	c16	8000/U	50	NATURE	863	d16	8000/U	50	NATURE	856	e16	8000/U	50	NATURE	847	f16	8000/U	50	NATURE	645					
a17	8000/U	50	NATURE	155	b17	8000/U	50	NATURE	146	c17	8000/U	50	NATURE	834	d17	8000/U	50	NATURE	820	e17	8000/U	50	NATURE	795	f17	8000/U	50	NATURE	559					
a18	8000/U	50	NATURE	132	b18	8000/U	50	NATURE	130	c18	8000/U	50	NATURE	813	d18	8000/U	50	NATURE	793	e18	8000/U	50	NATURE	765	f18	8000/U	50	NATURE	536					
a19	8000/U	50	NATURE	1.047						c19	8000/U	50	NATURE	1.029	d19	8000/U	50	NATURE	882	e19	8000/U	50	NATURE	885	f19	8000/U	50	NATURE	891					
A1	8000/U	70	NATURE	1.028																				2F1	8000/U	70	NATURE	331						
A2	8000/U	70	NATURE	969																				2F2	8000/U	70	NATURE	319						
A3	8000/U	70	NATURE	952																				2F3	8000/U	70	NATURE	325						
A4	8000/U	70	NATURE	852																				2F4	8000/U	70	NATURE	294						
A5	8000/U	70	NATURE	864																				2F5	8000/U	70	NATURE	1.116						
A6	8000/U	70	NATURE	910																				2F6	8000/U	70	NATURE	915						
A7	8000/U	70	NATURE	988																														
A8	8000/U	70	NATURE	921																														
A9	8000/U	70	NATURE	894																														
A10	8000/U	70	NATURE	817																														
A11	8000/U	70	NATURE	817																														
A12	8000/U	70	NATURE	846																														
A13	8000/U	70	NATURE	775																														
A14	8000/U	70	NATURE	699																														
A15	8000/U	70	NATURE	647																														



**LINES TECHNICAL DATA**

**SKIN 2**

16

ref.	mat.	kg	colour	m/m	ref.	mat.	kg	colour	m/m	ref.	mat.	kg	colour	m/m	ref.	mat.	kg	colour	m/m	ref.	mat.	kg	colour	m/m	ref.	mat.	kg	colour	m/m					
<b>A</b>					<b>B</b>					<b>C</b>					<b>D</b>					<b>E</b>					<b>F</b>					<b>BRAKE</b>				
A16	8000/U	70	NATURE	720																														
A17	8000/U	70	NATURE	674																														
A18	8000/U	70	NATURE	667																														
2A1	TNL	140	GREEN	936	st1	8000/U	50	NATURE	976	2C1	TNL	140	BLUE	1009	2D1	TNL	140	BLUE	987	2E1	TNL	80	BLUE	950						2BR1	DC	60	WHT	2546
2A2	TNL	140	GREEN	1011	st2	8000/U	50	NATURE	984	2C2	TNL	140	BLUE	1095	2D2	TNL	140	BLUE	1044	2E2	TNL	80	BLUE	958						3BR1	DC	60	WHT	2232
2A3	TNL	140	GREEN	789	st3	8000/U	50	NATURE	842	2C3	TNL	140	BLUE	800	2D3	TNL	140	BLUE	781	2E3	TNL	80	BLUE	760						2BR4	DC	40	WHT	379
2A4	TNL	140	GREEN	853	st4	8000/U	50	NATURE	866	2C4	TNL	140	BLUE	833	2D4	TNL	140	BLUE	827	2E4	TNL	80	BLUE	813						2BR5	DC	40	WHT	932
2A5	TNL	80	GREEN	691	2ST1	TNL	80	RED	800	2C5	TNL	80	BLUE	702	2D5	TNL	80	BLUE	842	2E5	TNL	80	BLUE	887						3BR2	DC	60	WHT	2217
2A6	TNL	80	GREEN	580	2ST2	TNL	80	RED	939	2C6	TNL	80	BLUE	481	2D6	TNL	80	BLUE	628	2E6	TNL	80	BLUE	677										
3A1	TNL	220	GREEN	3355	3ST1	TNL	80	RED	2979	3C1	TNL	220	BLUE	3310	3D1	TNL	220	BLUE	3391	3E1	TNL	140	BLUE	3546						brmain	TNL	280	RED	1945
3A2	TNL	220	GREEN	3444						3C2	TNL	220	BLUE	3486	3D2	TNL	220	BLUE	3510	3E2	TNL	140	BLUE	3587						POINT:				1745
3A3	TNL	140	GREEN	3607						3C3	TNL	140	BLUE	3661	3D3	TNL	140	BLUE	3513	3E3	TNL	140	BLUE	3497										

**LINES TECHNICAL DATA**

**SKIN 2 18**

ref.	mat.	kg	colour	m/m	ref.	mat.	kg	colour	m/m	ref.	mat.	kg	colour	m/m	ref.	mat.	kg	colour	m/m	ref.	mat.	kg	colour	m/m	ref.	mat.	kg	colour	m/m					
<b>A</b>					<b>B</b>					<b>C</b>					<b>D</b>					<b>E</b>					<b>F</b>					<b>BRAKE</b>				
a1	8000/U	50	NATURE	318	b1	8000/U	50	NATURE	298	c1	8000/U	70	NATURE	1.321	d1	8000/U	70	NATURE	1.247	e1	8000/U	50	NATURE	1.164	f1	8000/U	50	NATURE	825	br1	DC	40	WHT	1.889
a2	8000/U	50	NATURE	316	b2	8000/U	50	NATURE	298	c2	8000/U	70	NATURE	1.260	d2	8000/U	70	NATURE	1.183	e2	8000/U	50	NATURE	1.089	f2	8000/U	50	NATURE	746	br2	DC	40	WHT	1.632
a3	8000/U	50	NATURE	322	b3	8000/U	50	NATURE	270	c3	8000/U	70	NATURE	1.209	d3	8000/U	70	NATURE	1.138	e3	8000/U	50	NATURE	1.057	f3	8000/U	50	NATURE	776	br3	DC	40	WHT	1.535
a4	8000/U	50	NATURE	318	b4	8000/U	50	NATURE	266	c4	8000/U	70	NATURE	1.078	d4	8000/U	70	NATURE	1.035	e4	8000/U	50	NATURE	1.021	f4	8000/U	50	NATURE	752	br4	DC	40	WHT	1.745
a5	8000/U	50	NATURE	307	b5	8000/U	50	NATURE	290	c5	8000/U	70	NATURE	1.119	d5	8000/U	70	NATURE	1.067	e5	8000/U	50	NATURE	1.024	f5	8000/U	50	NATURE	695	br5	DC	40	WHT	1.635
a6	8000/U	50	NATURE	306	b6	8000/U	50	NATURE	290	c6	8000/U	70	NATURE	1.166	d6	8000/U	70	NATURE	1.112	e6	8000/U	50	NATURE	1.062	f6	8000/U	50	NATURE	739	br6	DC	40	WHT	1.618
a7	8000/U	50	NATURE	300	b7	8000/U	50	NATURE	279	c7	8000/U	70	NATURE	1.240	d7	8000/U	70	NATURE	1.204	e7	8000/U	50	NATURE	1.166	f7	8000/U	50	NATURE	839	br7	DC	40	WHT	1.235
a8	8000/U	50	NATURE	286	b8	8000/U	50	NATURE	270	c8	8000/U	70	NATURE	1.159	d8	8000/U	70	NATURE	1.125	e8	8000/U	50	NATURE	1.087	f8	8000/U	50	NATURE	751	br8	DC	40	WHT	1.133
a9	8000/U	50	NATURE	285	b9	8000/U	50	NATURE	243	c9	8000/U	70	NATURE	1.095	d9	8000/U	70	NATURE	1.073	e9	8000/U	50	NATURE	1.056	f9	8000/U	50	NATURE	774	br9	DC	40	WHT	1.101
a10	8000/U	50	NATURE	274	b10	8000/U	50	NATURE	233	c10	8000/U	70	NATURE	1.032	d10	8000/U	70	NATURE	997	e10	8000/U	50	NATURE	972	f10	8000/U	50	NATURE	719	br10	DC	40	WHT	481
a11	8000/U	50	NATURE	255	b11	8000/U	50	NATURE	246	c11	8000/U	70	NATURE	1.053	d11	8000/U	70	NATURE	1.013	e11	8000/U	50	NATURE	968	f11	8000/U	50	NATURE	660	br11	DC	40	WHT	467
a12	8000/U	50	NATURE	244	b12	8000/U	50	NATURE	237	c12	8000/U	70	NATURE	1.077	d12	8000/U	70	NATURE	1.038	e12	8000/U	50	NATURE	994	f12	8000/U	50	NATURE	691	br12	DC	40	WHT	510
a13	8000/U	50	NATURE	240	b13	8000/U	50	NATURE	218	c13	8000/U	50	NATURE	930	d13	8000/U	50	NATURE	904	e13	8000/U	50	NATURE	880	f13	8000/U	50	NATURE	645					
a14	8000/U	50	NATURE	219	b14	8000/U	50	NATURE	202	c14	8000/U	50	NATURE	834	d14	8000/U	50	NATURE	819	e14	8000/U	50	NATURE	800	f14	8000/U	50	NATURE	560					
a15	8000/U	50	NATURE	205	b15	8000/U	50	NATURE	172	c15	8000/U	50	NATURE	747	d15	8000/U	50	NATURE	745	e15	8000/U	50	NATURE	743	f15	8000/U	50	NATURE	542					
a16	8000/U	50	NATURE	183	b16	8000/U	50	NATURE	146	c16	8000/U	50	NATURE	915	d16	8000/U	50	NATURE	908	e16	8000/U	50	NATURE	898	f16	8000/U	50	NATURE	684					
a17	8000/U	50	NATURE	165	b17	8000/U	50	NATURE	154	c17	8000/U	50	NATURE	885	d17	8000/U	50	NATURE	869	e17	8000/U	50	NATURE	843	f17	8000/U	50	NATURE	593					
a18	8000/U	50	NATURE	140	b18	8000/U	50	NATURE	138	c18	8000/U	50	NATURE	862	d18	8000/U	50	NATURE	841	e18	8000/U	50	NATURE	812	f18	8000/U	50	NATURE	569					
a19	8000/U	50	NATURE	1.111						c19	8000/U	50	NATURE	1.092	d19	8000/U	50	NATURE	936	e19	8000/U	50	NATURE	940	f19	8000/U	50	NATURE	946					
A1	8000/U	70	NATURE	1.091																				2F1	8000/U	70	NATURE	353						
A2	8000/U	70	NATURE	1.029																				2F2	8000/U	70	NATURE	338						
A3	8000/U	70	NATURE	1.013																				2F3	8000/U	70	NATURE	345						
A4	8000/U	70	NATURE	902																				2F4	8000/U	70	NATURE	311						
A5	8000/U	70	NATURE	915																				2F5	8000/U	70	NATURE	1.184						
A6	8000/U	70	NATURE	964																				2F6	8000/U	70	NATURE	971						
A7	8000/U	70	NATURE	1.048																														
A8	8000/U	70	NATURE	978																														
A9	8000/U	70	NATURE	950																														
A10	8000/U	70	NATURE	865																														
A11	8000/U	70	NATURE	866																														
A12	8000/U	70	NATURE	898																														
A13	8000/U	70	NATURE	823																														
A14	8000/U	70	NATURE	742																														
A15	8000/U	70	NATURE	687																														



**LINES TECHNICAL DATA**

**SKIN 2** **18**

ref.	mat.	kg	colour	m/m	ref.	mat.	kg	colour	m/m	ref.	mat.	kg	colour	m/m	ref.	mat.	kg	colour	m/m	ref.	mat.	kg	colour	m/m	ref.	mat.	kg	colour	m/m					
<b>A</b>				<b>B</b>				<b>C</b>				<b>D</b>				<b>E</b>				<b>F</b>				<b>BRAKE</b>										
A16	8000/U	70	NATURE	764																														
A17	8000/U	70	NATURE	715																														
A18	8000/U	70	NATURE	708																														
2A1	TNL	140	GREEN	991	st1	8000/U	50	NATURE	1035	2C1	TNL	140	BLUE	1066	2D1	TNL	140	BLUE	1043	2E1	TNL	80	BLUE	1004						2BR1	DC	60	WHT	2696
2A2	TNL	140	GREEN	1076	st2	8000/U	50	NATURE	1043	2C2	TNL	140	BLUE	1167	2D2	TNL	140	BLUE	1112	2E2	TNL	80	BLUE	1020						3BR1	DC	60	WHT	2441
2A3	TNL	140	GREEN	836	st3	8000/U	50	NATURE	894	2C3	TNL	140	BLUE	845	2D3	TNL	140	BLUE	826	2E3	TNL	80	BLUE	804						2BR4	DC	40	WHT	401
2A4	TNL	140	GREEN	907	st4	8000/U	50	NATURE	920	2C4	TNL	140	BLUE	887	2D4	TNL	140	BLUE	880	2E4	TNL	80	BLUE	865						2BR5	DC	40	WHT	991
2A5	TNL	80	GREEN	733	2ST1	TNL	80	RED	849	2C5	TNL	80	BLUE	744	2D5	TNL	80	BLUE	893	2E5	TNL	80	BLUE	941						3BR2	DC	60	WHT	2357
2A6	TNL	80	GREEN	616	2ST2	TNL	80	RED	997	2C6	TNL	80	BLUE	512	2D6	TNL	80	BLUE	667	2E6	TNL	80	BLUE	719										
3A1	TNL	220	GREEN	3582	3ST1	TNL	80	RED	3193	3C1	TNL	220	BLUE	3534	3D1	TNL	220	BLUE	3620	3E1	TNL	140	BLUE	3785						brmain	TNL	280	RED	2080
3A2	TNL	220	GREEN	3682						3C2	TNL	220	BLUE	3726	3D2	TNL	220	BLUE	3753	3E2	TNL	140	BLUE	3834						POINT:	1880			
3A3	TNL	140	GREEN	3857						3C3	TNL	140	BLUE	3916	3D3	TNL	140	BLUE	3770	3E3	TNL	140	BLUE	3757										

**LINES TECHNICAL DATA**

**SKIN 2 20**

ref.	mat.	kg	colour	m/m	ref.	mat.	kg	colour	m/m	ref.	mat.	kg	colour	m/m	ref.	mat.	kg	colour	m/m	ref.	mat.	kg	colour	m/m	ref.	mat.	kg	colour	m/m								
<b>A</b>					<b>B</b>					<b>C</b>					<b>D</b>					<b>E</b>					<b>F</b>					<b>BRAKE</b>							
a1	8000/U	50	NATURE	335	b1	8000/U	50	NATURE	315	c1	8000/U	70	NATURE	1.395	d1	8000/U	70	NATURE	1.316	e1	8000/U	50	NATURE	1.228	f1	8000/U	50	NATURE	870	br1	DC	40	WHT	1.991			
a2	8000/U	50	NATURE	333	b2	8000/U	50	NATURE	314	c2	8000/U	70	NATURE	1.331	d2	8000/U	70	NATURE	1.250	e2	8000/U	50	NATURE	1.150	f2	8000/U	50	NATURE	787	br2	DC	40	WHT	1.721			
a3	8000/U	50	NATURE	339	b3	8000/U	50	NATURE	285	c3	8000/U	70	NATURE	1.278	d3	8000/U	70	NATURE	1.203	e3	8000/U	50	NATURE	1.117	f3	8000/U	50	NATURE	820	br3	DC	40	WHT	1.620			
a4	8000/U	50	NATURE	335	b4	8000/U	50	NATURE	281	c4	8000/U	70	NATURE	1.133	d4	8000/U	70	NATURE	1.088	e4	8000/U	50	NATURE	1.074	f4	8000/U	50	NATURE	792	br4	DC	40	WHT	1.839			
a5	8000/U	50	NATURE	324	b5	8000/U	50	NATURE	306	c5	8000/U	70	NATURE	1.177	d5	8000/U	70	NATURE	1.123	e5	8000/U	50	NATURE	1.078	f5	8000/U	50	NATURE	731	br5	DC	40	WHT	1.724			
a6	8000/U	50	NATURE	323	b6	8000/U	50	NATURE	306	c6	8000/U	70	NATURE	1.227	d6	8000/U	70	NATURE	1.171	e6	8000/U	50	NATURE	1.119	f6	8000/U	50	NATURE	779	br6	DC	40	WHT	1.708			
a7	8000/U	50	NATURE	316	b7	8000/U	50	NATURE	294	c7	8000/U	70	NATURE	1.308	d7	8000/U	70	NATURE	1.270	e7	8000/U	50	NATURE	1.230	f7	8000/U	50	NATURE	885	br7	DC	40	WHT	1.301			
a8	8000/U	50	NATURE	301	b8	8000/U	50	NATURE	285	c8	8000/U	70	NATURE	1.223	d8	8000/U	70	NATURE	1.188	e8	8000/U	50	NATURE	1.147	f8	8000/U	50	NATURE	792	br8	DC	40	WHT	1.195			
a9	8000/U	50	NATURE	301	b9	8000/U	50	NATURE	256	c9	8000/U	70	NATURE	1.157	d9	8000/U	70	NATURE	1.133	e9	8000/U	50	NATURE	1.115	f9	8000/U	50	NATURE	817	br9	DC	40	WHT	1.162			
a10	8000/U	50	NATURE	289	b10	8000/U	50	NATURE	245	c10	8000/U	70	NATURE	1.085	d10	8000/U	70	NATURE	1.049	e10	8000/U	50	NATURE	1.023	f10	8000/U	50	NATURE	757	br10	DC	40	WHT	506			
a11	8000/U	50	NATURE	269	b11	8000/U	50	NATURE	259	c11	8000/U	70	NATURE	1.109	d11	8000/U	70	NATURE	1.067	e11	8000/U	50	NATURE	1.020	f11	8000/U	50	NATURE	696	br11	DC	40	WHT	493			
a12	8000/U	50	NATURE	257	b12	8000/U	50	NATURE	250	c12	8000/U	70	NATURE	1.135	d12	8000/U	70	NATURE	1.094	e12	8000/U	50	NATURE	1.047	f12	8000/U	50	NATURE	728	br12	DC	40	WHT	538			
a13	8000/U	50	NATURE	253	b13	8000/U	50	NATURE	230	c13	8000/U	50	NATURE	978	d13	8000/U	50	NATURE	949	e13	8000/U	50	NATURE	923	f13	8000/U	50	NATURE	676								
a14	8000/U	50	NATURE	230	b14	8000/U	50	NATURE	210	c14	8000/U	50	NATURE	873	d14	8000/U	50	NATURE	852	e14	8000/U	50	NATURE	826	f14	8000/U	50	NATURE	571								
a15	8000/U	50	NATURE	216	b15	8000/U	50	NATURE	182	c15	8000/U	50	NATURE	785	d15	8000/U	50	NATURE	780	e15	8000/U	50	NATURE	775	f15	8000/U	50	NATURE	563								
a16	8000/U	50	NATURE	193	b16	8000/U	50	NATURE	154	c16	8000/U	50	NATURE	964	d16	8000/U	50	NATURE	957	e16	8000/U	50	NATURE	947	f16	8000/U	50	NATURE	721								
a17	8000/U	50	NATURE	173	b17	8000/U	50	NATURE	163	c17	8000/U	50	NATURE	933	d17	8000/U	50	NATURE	916	e17	8000/U	50	NATURE	889	f17	8000/U	50	NATURE	625								
a18	8000/U	50	NATURE	147	b18	8000/U	50	NATURE	146	c18	8000/U	50	NATURE	909	d18	8000/U	50	NATURE	886	e18	8000/U	50	NATURE	856	f18	8000/U	50	NATURE	601								
a19	8000/U	50	NATURE	1.171						c19	8000/U	50	NATURE	1.151	d19	8000/U	50	NATURE	987	e19	8000/U	50	NATURE	977	f19	8000/U	50	NATURE	999								
A1	8000/U	70	NATURE	1.151																					2F1	8000/U	70	NATURE	373								
A2	8000/U	70	NATURE	1.086																						2F2	8000/U	70	NATURE	355							
A3	8000/U	70	NATURE	1.070																							2F3	8000/U	70	NATURE	364						
A4	8000/U	70	NATURE	948																							2F4	8000/U	70	NATURE	327						
A5	8000/U	70	NATURE	963																								2F5	8000/U	70	NATURE	1.220					
A6	8000/U	70	NATURE	1.016																								2F6	8000/U	70	NATURE	989					
A7	8000/U	70	NATURE	1.105																																	
A8	8000/U	70	NATURE	1.032																																	
A9	8000/U	70	NATURE	1.003																																	
A10	8000/U	70	NATURE	911																																	
A11	8000/U	70	NATURE	912																																	
A12	8000/U	70	NATURE	946																																	
A13	8000/U	70	NATURE	867																																	
A14	8000/U	50	NATURE	782																																	
A15	8000/U	50	NATURE	724																																	

**LINES TECHNICAL DATA**

**SKIN 2**

**20**

ref.	mat.	kg	colour	m/m	ref.	mat.	kg	colour	m/m	ref.	mat.	kg	colour	m/m	ref.	mat.	kg	colour	m/m	ref.	mat.	kg	colour	m/m	ref.	mat.	kg	colour	m/m					
<b>A</b>				<b>B</b>				<b>C</b>				<b>D</b>				<b>E</b>				<b>F</b>				<b>BRAKE</b>										
A16	8000/U	70	NATURE	805																														
A17	8000/U	70	NATURE	754																														
A18	8000/U	70	NATURE	747																														
2A1	TNL	140	GREEN	1042	st1	8000/U	50	NATURE	1091	2C1	TNL	140	BLUE	1120	2D1	TNL	140	BLUE	1097	2E1	TNL	80	BLUE	1055						2BR1	DC	60	WHT	2837
2A2	TNL	140	GREEN	1138	st2	8000/U	50	NATURE	1100	2C2	TNL	140	BLUE	1235	2D2	TNL	140	BLUE	1176	2E2	TNL	80	BLUE	1078						3BR1	DC	60	WHT	2513
2A3	TNL	140	GREEN	880	st3	8000/U	50	NATURE	943	2C3	TNL	140	BLUE	889	2D3	TNL	140	BLUE	869	2E3	TNL	80	BLUE	846						2BR4	DC	40	WHT	422
2A4	TNL	140	GREEN	958	st4	8000/U	50	NATURE	970	2C4	TNL	140	BLUE	938	2D4	TNL	140	BLUE	931	2E4	TNL	80	BLUE	914						2BR5	DC	40	WHT	1006
2A5	TNL	80	GREEN	769	2ST1	TNL	80	RED	895	2C5	TNL	80	BLUE	778	2D5	TNL	80	BLUE	928	2E5	TNL	80	BLUE	964						3BR2	DC	60	WHT	2450
2A6	TNL	80	GREEN	646	2ST2	TNL	80	RED	1052	2C6	TNL	80	BLUE	531	2D6	TNL	80	BLUE	685	2E6	TNL	80	BLUE	724										
3A1	TNL	220	GREEN	3796	3ST1	TNL	80	RED	3394	3C1	TNL	220	BLUE	3746	3D1	TNL	220	BLUE	3836	3E1	TNL	140	BLUE	4011						brmain	TNL	280	RED	2175
3A2	TNL	220	GREEN	3901						3C2	TNL	220	BLUE	3954	3D2	TNL	220	BLUE	3983	3E2	TNL	140	BLUE	4069						POINT:	1975			
3A3	TNL	140	GREEN	4093						3C3	TNL	140	BLUE	4166	3D3	TNL	140	BLUE	4012	3E3	TNL	140	BLUE	4011										

NIVIUK SKIN 2 16

LINES HEIGHT m/m

	A	B	C	D	E	F	br
1	5607	5588	5551	5540	5580	5593	6073
2	5546	5529	5492	5479	5508	5505	5829
3	5534	5486	5443	5436	5477	5532	5736
4	5506	5457	5413	5402	5457	5522	5623
5	5507	5492	5451	5432	5459	5467	5518
6	5552	5537	5494	5473	5494	5507	5501
7	5492	5473	5441	5413	5433	5451	5506
8	5412	5397	5364	5338	5359	5367	5409
9	5384	5344	5304	5288	5329	5388	5377
10	5361	5321	5282	5267	5306	5361	5348
11	5342	5334	5302	5281	5302	5305	5334
12	5361	5355	5324	5304	5325	5333	5374
13	5287	5267	5227	5194	5201	5208	
14	5192	5175	5137	5115	5125	5129	
15	5126	5096	5054	5045	5071	5112	
16	5068	5033	4993	4985	5009	5045	
17	5004	4995	4964	4949	4957	4959	
18	4974	4972	4943	4922	4927	4936	
19	4814		4796	4788	4791	4797	
20	4755		4763	4760		4784	

RISERS LENGHT m/m

	A	B	C	D	
	480	480	480	480	STANDARD
	410	427,5	445	480	ACCELERATED
	480	492,5	505	530	TRIM OPEN
	410	440	470	530	ACCELERATED + TRIM OPEN
	-70	-40	-10	50	TRAVEL

NIVIUK SKIN 2 18

LINES HEIGHT m/m

	A	B	C	D	E	F	br
1	5965	5945	5909	5898	5941	5955	6465
2	5901	5883	5848	5834	5866	5861	6208
3	5891	5839	5797	5789	5834	5891	6111
4	5861	5809	5767	5755	5814	5883	6066
5	5863	5846	5808	5787	5817	5826	5956
6	5911	5895	5855	5832	5855	5870	5939
7	5849	5828	5799	5771	5792	5810	5873
8	5765	5749	5718	5692	5713	5722	5771
9	5736	5694	5654	5640	5682	5745	5739
10	5711	5670	5633	5618	5659	5717	5709
11	5693	5684	5654	5634	5655	5658	5695
12	5714	5707	5678	5659	5681	5689	5738
13	5636	5614	5578	5555	5566	5574	
14	5534	5517	5482	5470	5486	5489	
15	5465	5432	5395	5396	5429	5471	
16	5403	5366	5331	5333	5362	5400	
17	5336	5325	5301	5294	5307	5309	
18	5304	5302	5278	5266	5276	5285	
19	5136		5122	5114	5118	5124	
20	5065		5073	5072		5098	

RISERS LENGHT m/m

	A	B	C	D	
	480	480	480	480	STANDARD
	410	427,5	445	480	ACCELERATED
	480	492,5	505	530	TRIM OPEN
	410	440	470	530	ACCELERATED + TRIM OPEN
	-70	-40	-10	50	TRAVEL

LINES HEIGHT m/m

	A	B	C	D	E	F	br
1	6309	6289	6246	6234	6279	6294	6788
2	6242	6223	6182	6168	6201	6193	6518
3	6232	6178	6129	6121	6168	6226	6397
4	6202	6148	6099	6085	6148	6221	6292
5	6206	6188	6143	6120	6152	6160	6157
6	6258	6241	6193	6168	6193	6208	6181
7	6187	6165	6136	6107	6130	6149	6133
8	6099	6083	6051	6025	6047	6056	6027
9	6070	6025	5985	5970	6015	6081	5994
10	6044	6000	5962	5948	5991	6052	5922
11	6025	6015	5986	5966	5988	5991	5909
12	6047	6040	6012	5993	6015	6023	5954
13	5967	5944	5907	5874	5883	5892	
14	5859	5839	5802	5777	5786	5787	
15	5787	5753	5714	5705	5735	5779	
16	5722	5683	5646	5639	5667	5706	
17	5651	5641	5615	5598	5609	5610	
18	5618	5617	5591	5568	5576	5586	
19	5445		5425	5418	5408	5430	
20	5380		5389	5389		5416	

RISERS LENGHT m/m

A	B	C	D	
480	480	480	480	STANDARD
410	427,5	445	480	ACCELERATED
480	492,5	505	530	TRIM OPEN
410	440	470	530	ACCELERATED + TRIM OPEN
-70	-40	-10	50	TRAVEL

**SUSPENSION TECHNICAL DATA**

**SKIN 2**

MATERIAL CODE		DC	DC	TNL	TNL	TNL	TNL	8000/U	8000/U
STRENGTH CODE		40	060	080	140	220	280	50	70
DIAMETER m/m	Ø	0,5	0,6	1,1	1,4	1,6	1,8	0,5	0,7
CORE MATERIAL		DYNEEMA	DYNEEMA	TECHNORA	TECHNORA	TECHNORA	TECHNORA	ARAMID	ARAMID
SLEEVE MATERIAL		NO	NO	POLYESTER	POLYESTER	POLYESTER	POLYESTER	NO	NO
WEIGHT G/M	TOTAL	0,19	0,24	1,1	1,2	1,6	2,7	0,3	0,4
BREAKING STRENGTH	MINIMUM	40	60	80	140	220	280	50	70
	MAXIMUM	48	84	92	160	250	320	59	78
STRENGTH AFTER									
5.000 BENDING	TEST EN	33	74	36,7	76,1	114,2	134,7	26	39
CYCLES									
ELONGATION AT	5 DAN EN %			0,3	0,2	0,2	0,2	0,4	0,5
	10 DAN EN %		0,43	0,5	0,3	0,3	0,3	0,7	0,7
	15 DAN EN %			0,7	0,5	0,5	0,4	1,1	1
	20 DAN EN %			1	0,6	0,6	0,4	1,5	1,3
	25 DAN EN %			1,3	0,8	0,7	0,5	1,9	1,5
	30 DAN EN %		1,2	2,3	1,5	1,2	0,9	3,3	2,8
	75 DAN EN %			2,8	2,3	1,8	1,3		3,7
	100 DAN EN %				2,7	2,2	1,7		
	125 DAN EN %				3,2	2,7	2		
	150 DAN EN %					3	2,3		
	175 DAN EN %					3,3	2,7		
	200 DAN EN %					3,8	2,8		
	250 DAN EN %								
ELONGATION MAX. BREAKING STRENGTH %			3,2	3	3,4	4	4,1	3,8	3,9

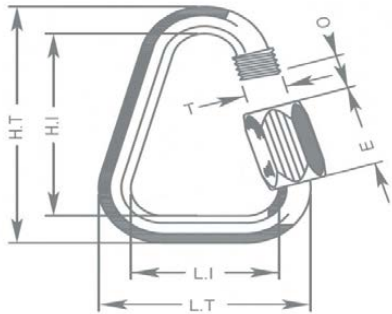


**MAILLON TECHNICAL DATA**

**DESCRIPTION**

MAILLON	DELTA
CODE	3.5
MATERIAL	STAINLESS STEEL
SIZE	3 m/m
WEIGHT	5 G/PIECE

**TECHNICAL SPECIFICATIONS**



DIMENSIONS	m/m
L.T.	22
L.I.	14
H.T.	37
H.I.	29
O	5
E	12
T	4
LOAD	kg
WORKING LIMIT	110
BREAKING	550

**MATERIAL**

AISI 304 STAINLESS STEEL STANDARD

CLOSING APPLIED BY MANUAL & ENTIRE SCREWING OF THE NUT TO GUARANTEE THE HIGHEST SAFETY (NO THREAD SHOULD BE OBVIOUS)

SYSTEMATIC CONTROL OF MAILLON QUICK-LINKS BEFORE EVERY FLIGHT

**THREAD TECHNICAL DATA****SAIL MAKING**

NAME	SERAFIL
N° OF REFERENCE	60
MATERIAL	POLYESTER
TYPE OF FINISH	SILK
LINEAR DENSITY	NM 61 / 3 (DTEX 163 * 3)
BREAKING STRENGTH	3,000 CN
ELONGATION	17,00%

**SERAFIL PROPERTIES**

SOLIDITY ARTIFICIAL LIGTH	ISO 105 B02 > 5 - 6
SOLIDITY SWEAT	ISO 105 E04 > 4
SOLIDITY WASHING	ISO 105 C04 > 3
SOLIDITY GRAZE IN DRY	ISO 105 X12 > 4
SOLIDITY WASHING IN DRY	ISO 105 D01 > 3 - 4

TREATMENT WATER REPELLENT	WR
---------------------------	----

**RISERS MAKING**

NAME	COATS BONDED C.F.P.
N° OF REFERENCE	V138
MATERIAL	POLYESTER
TYPE OF FINISH	SILK
BREAKING STRENGTH	9,5 kg
ELONGATION	19%

**RISERS TECHNICAL DATA****RISERS**

N° OF REFERENCE	3455
MATERIAL	POLYESTER&TECNORA
WIDTH	12 m/m
THICKNESS	0,9 m/m
BREAKING STRENGTH	1078DAN
ELONGATION	MAX. 15%
WEIGHT	9,1 GM
COLOUR	BLACK

**COLOR INDICATOR**

N° OF REFERENCE	IC-G 1-2
MATERIAL	POLYESTER
WIDTH	70 m/m
THICKNESS	0,80 m/m
BREAKING STRENGTH	130 DN
ELONGATION	35 %
WEIGHT	32 G * L.M.
COLOUR	GREEN

**LOOPS**

N° OF REFERENCE	LKI - 10
MATERIAL	NYLON
WIDTH	10 m/m
BREAKING STRENGTH	84 kg
ELONGATION	30 %
WEIGHT	5,5 G/M
COLOUR	WHITE

